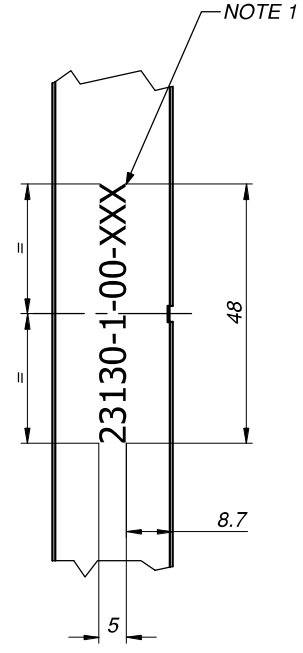
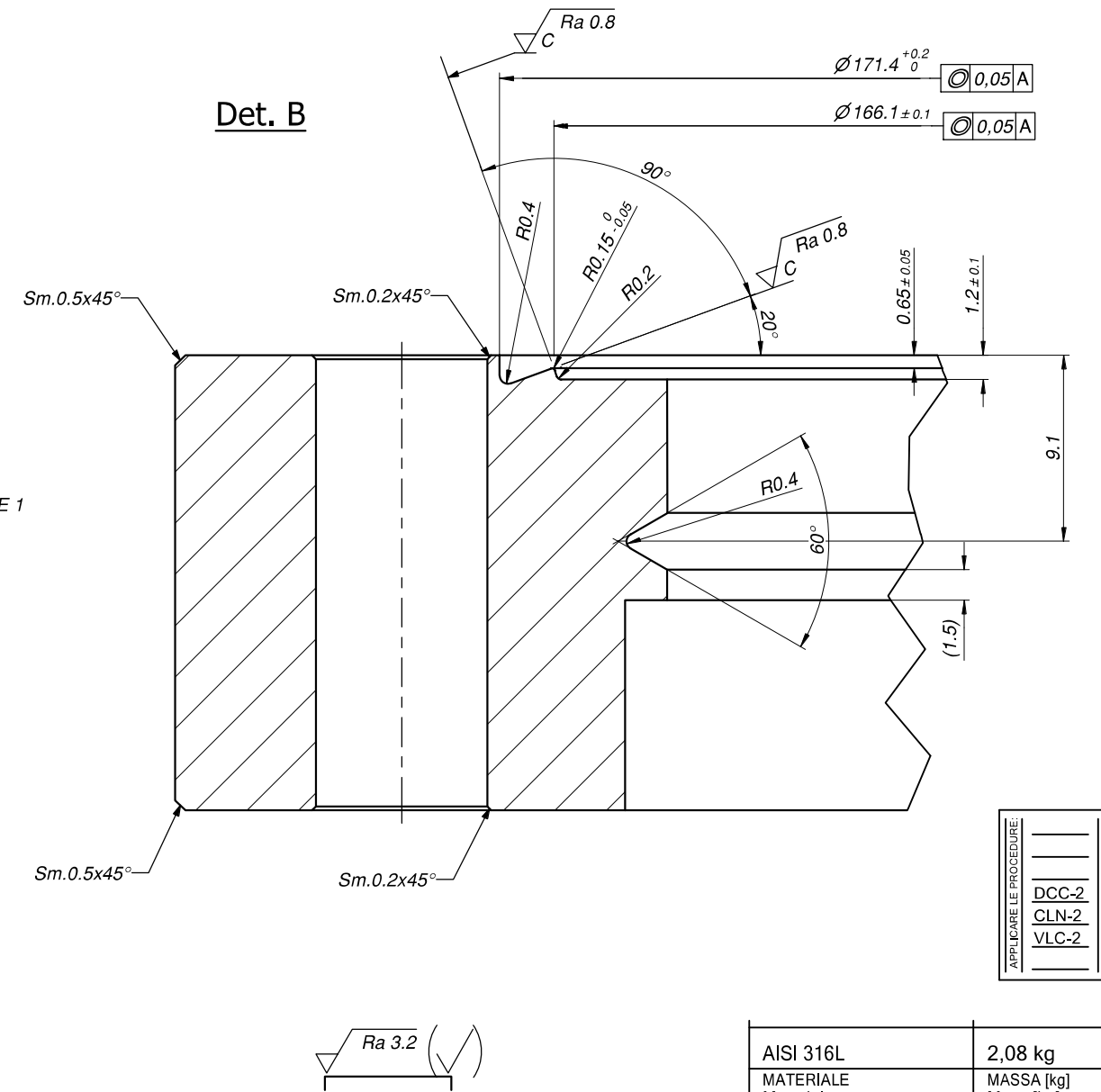


Det. B



- NOTES:
1. MARKING ACCORDING TO PROCEDURE MRK-23130
 2. MATERIAL CERTIFICATE 3.1B EN 10204 IS REQUIRED
 3. MAGNETIC PERMEABILITY $\mu_r \leq 1.05$

APPLICARE LE PROCEDURE:	
DCC-2	
CLN-2	
VLC-2	
APPLICABLE PROCEDURES:	

AISI 316L	2,08 kg
MATERIALE Material	MASSA [kg] Mass [kg]

TOLLERANZE GENERALI	UNI EN ISO 22768 - fH	< 6	6-30	30-120	120-400	400-1000	>1000	< 10	10-50	50-120	120-400	> 400
General tolerances	<input checked="" type="checkbox"/>	±0.05	±0.1	±0.15	±0.2	±0.3	±0.5	±1°	±0°30'	±0°20'	±0°10'	±0°5'
	<input type="checkbox"/>	±0.1	±0.2	±0.3	±0.5	±0.8	±1.2					

	A TERMINI DI LEGGE CI RISERVIAMO LA PROPRIETA' DI QUESTO DISEGNO CON DIVIETO DI RIPRODURLO O DI RENDERLO COMUNE NOTO A TERZI SENZA LA NOSTRA AUTORIZZAZIONE AS BY LAW ENACTED WE RESERVE THE RIGHT OF OWNERSHIP OF DRAWING. THE DOCUMENT AND INFORMATION CONTAINED HEREIN MAY NOT BE COPIED, USED OR DISCLOSED WITHOUT OUR PERMISSION	SPIGOLI NON QUOTATI ISO 13715 Edges of undefined shape ISO 13715	SIMBOLI DI RUGOSITA' ISO 1302 Symbols for roughness ISO 1302	DISEGNATO Draw DANIELE EBRI 21/08/2023
	SCALA Scale 1:1	VERIFICATO Controlled MARCO CANETTI 11/09/2023		
	FORMATO Size A3	APPROVATO Released ANTONIO CORSI 11/09/2023		

DESCRIZIONE Description	SPECIAL WELD FLANGE DN160CF FIXED BELLOWS ASSEMBLIES	23130-1-12	REVISIONE Revision	A
----------------------------	--	------------	-----------------------	---